



MODEL Partner 471 Range

ILLUSTRATED PARTS LIST

9644611-51
471S

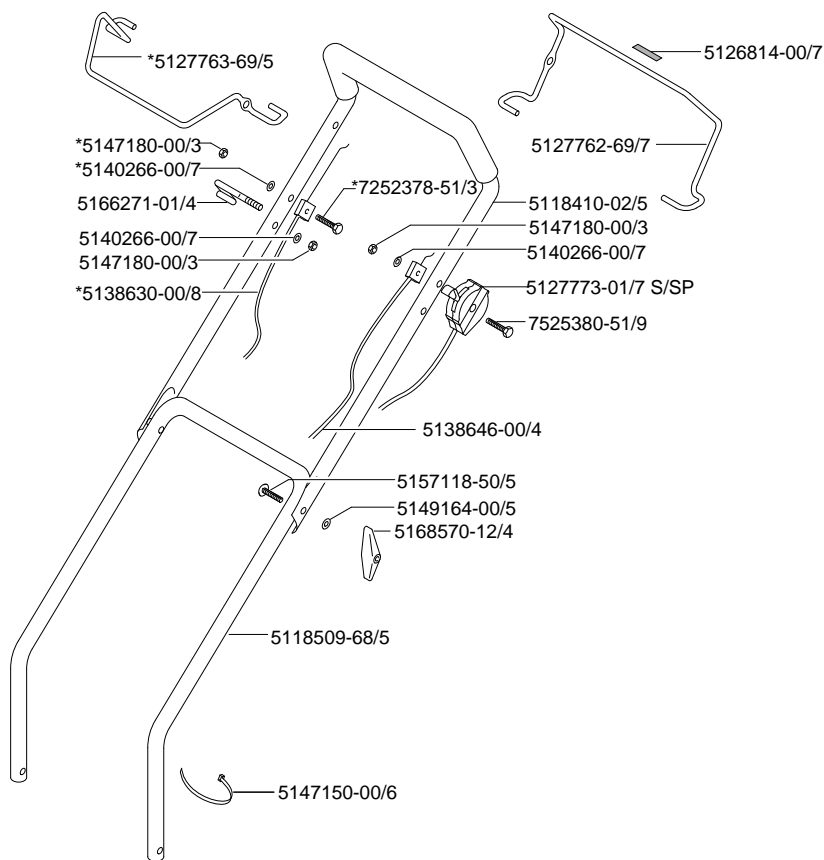
9644612-51
471SP

9644613-51
471SPE

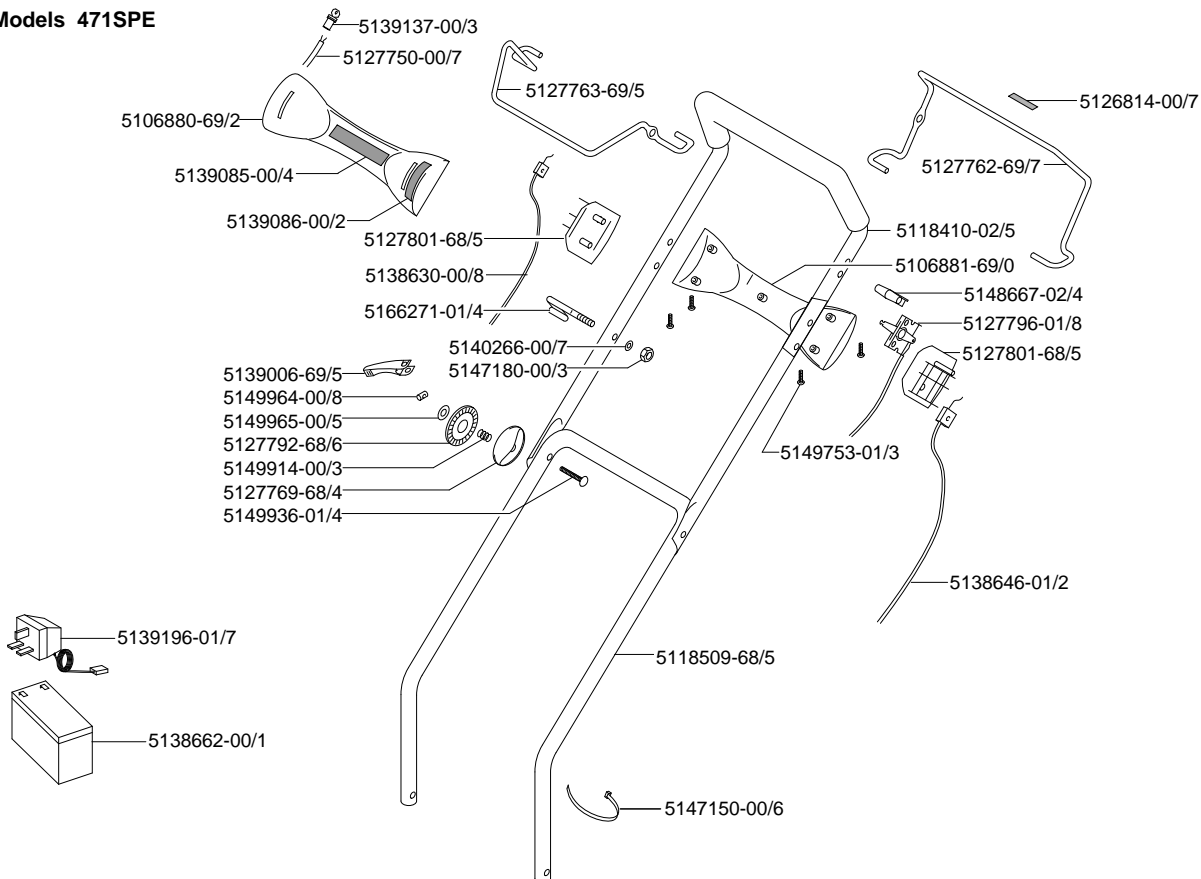
9644618-51
471

9644619-51
471P

Models 471
471 P
471 S
471SP
" * " Items P/SP Only



Models 471SPE





FLYMO & PARTNER OUTDOOR PRODUCTS



PARTS

12B

P987021

MODEL Partner 471 Range

ILLUSTRATED PARTS LIST

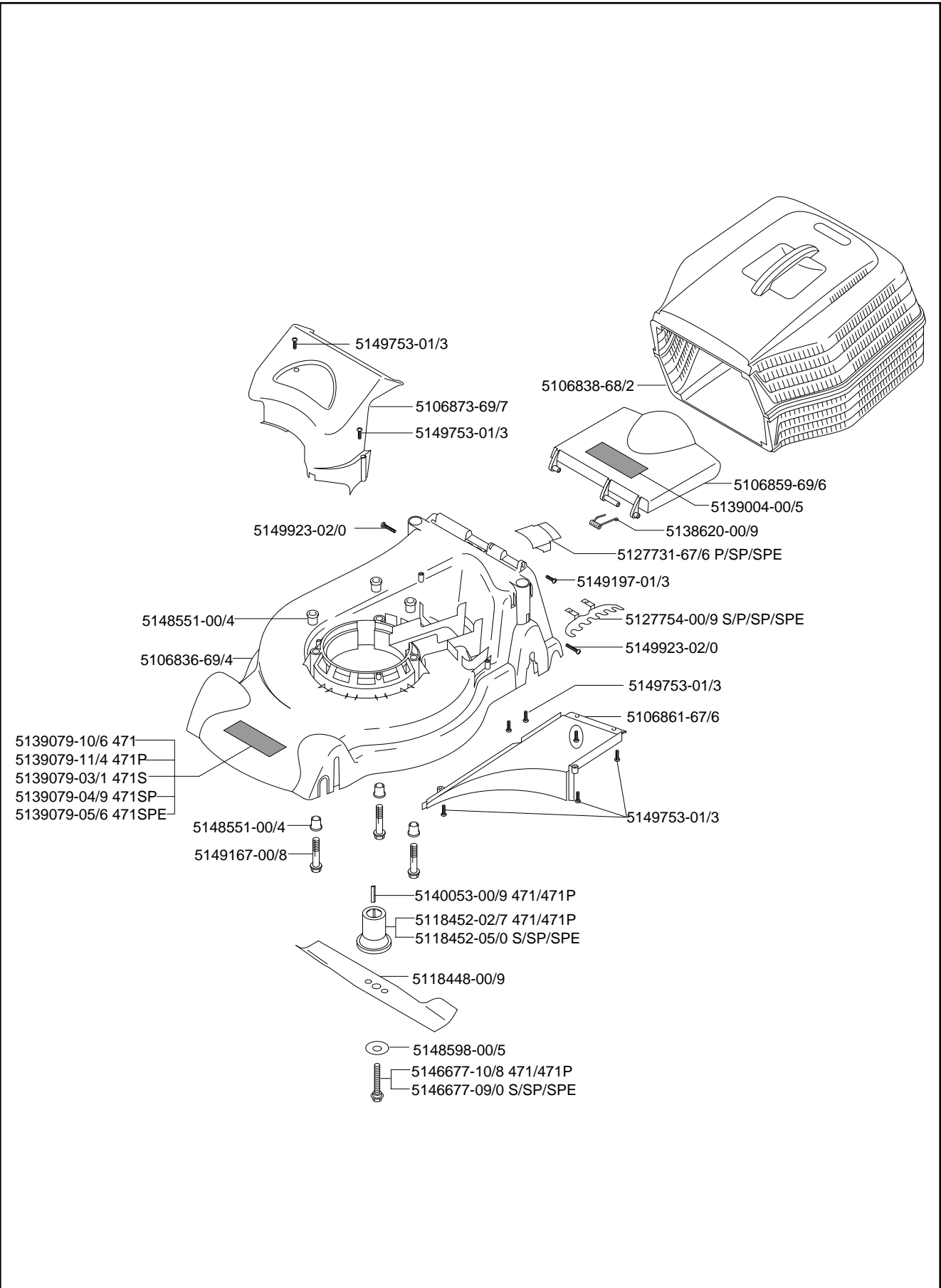
9644611-51
471S

9644612-51
471SP

9644613-51
471SPE

9644618-51
471

9644619-51
471P





MODEL Partner 471 Range

ILLUSTRATED PARTS LIST

9644611-51
471S

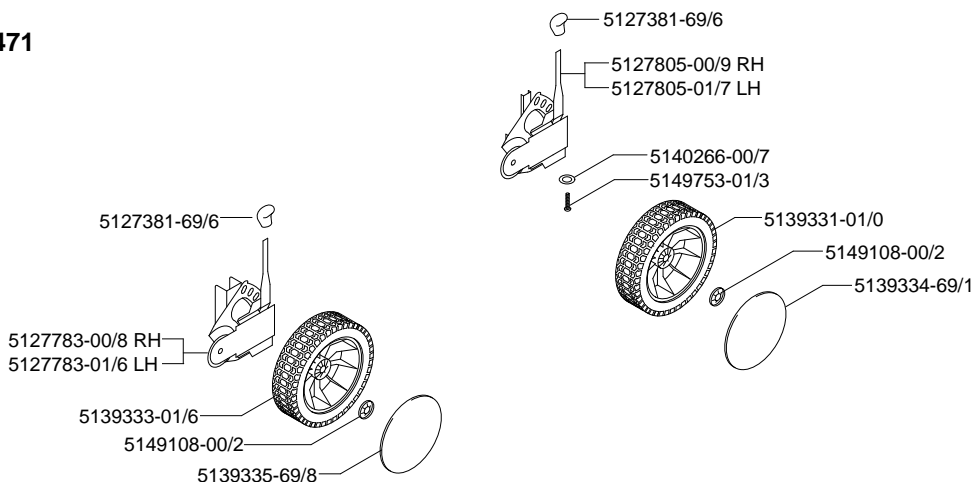
9644612-51
471SP

9644613-51
471SPE

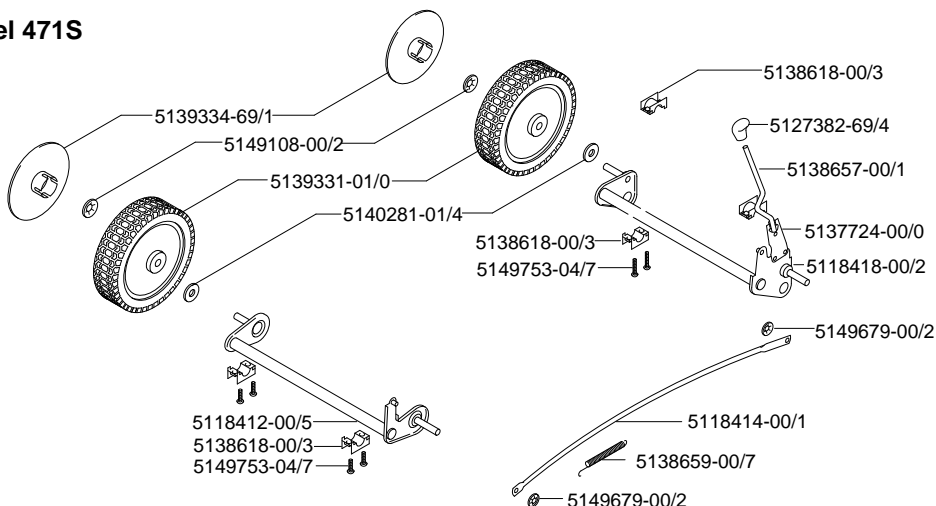
9644618-51
471

9644619-51
471P

Model 471



Model 471S



**Model 471P
471SP
471SPE
"*" Items 471P Only**

